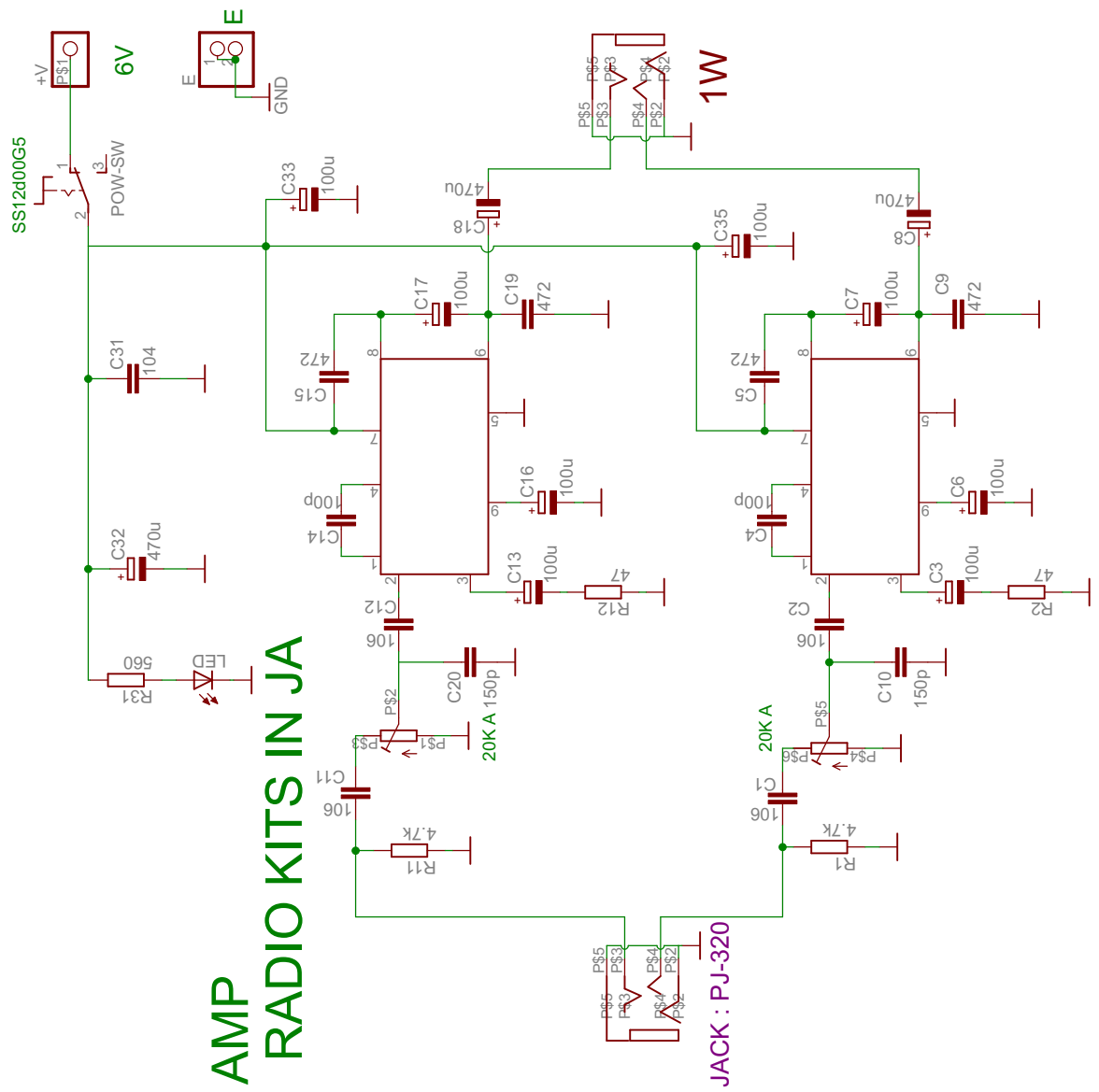
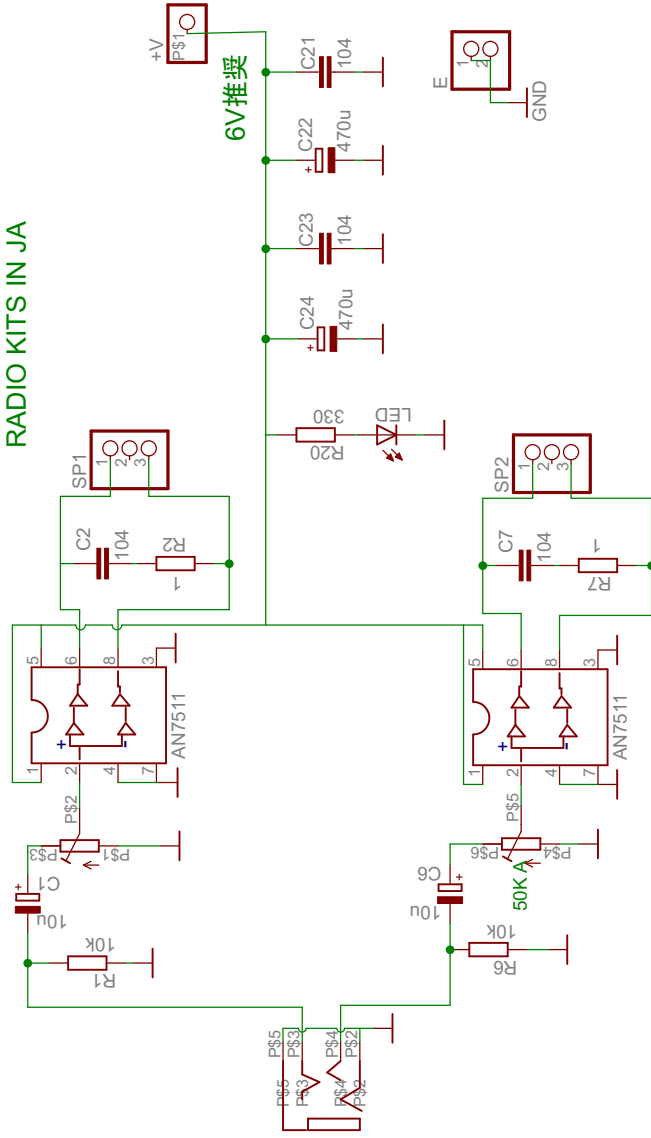


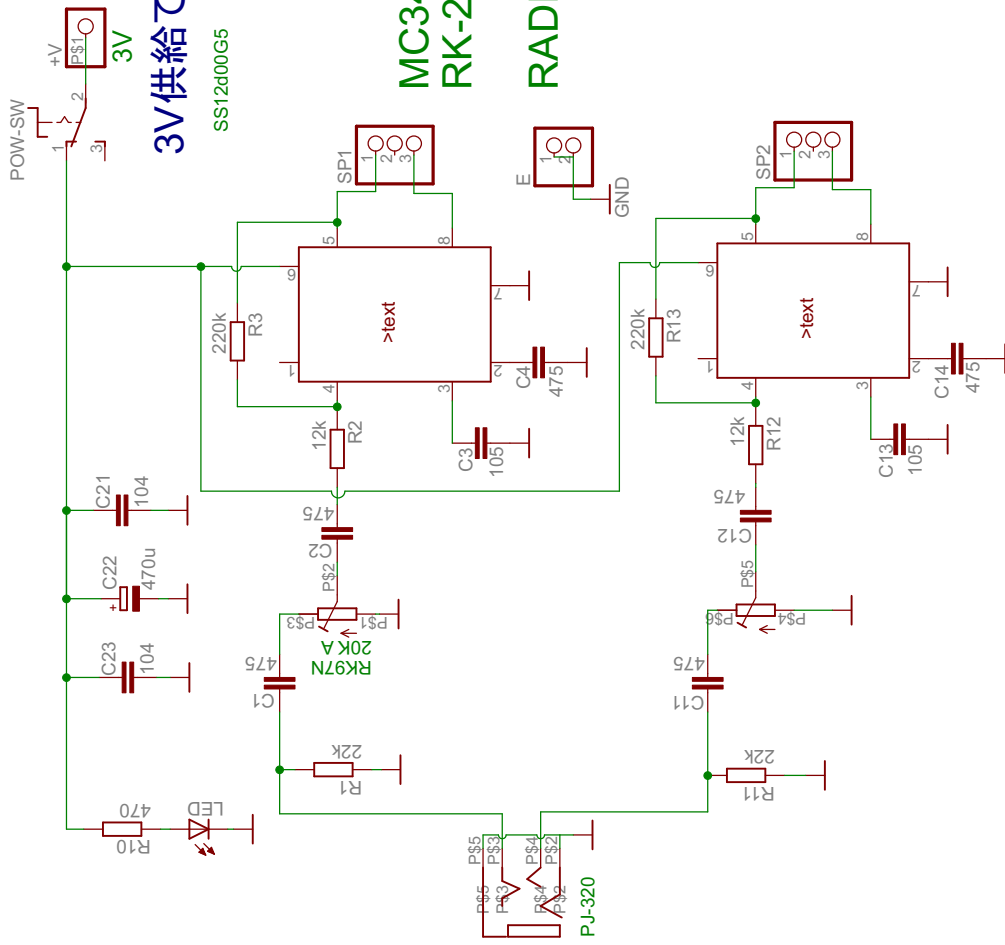
AN7112 AMP RK-256: RADIO KITS IN JA



JACK : PJ-320

AN7511 amp
RK-259v2
RADIO KITS IN JA



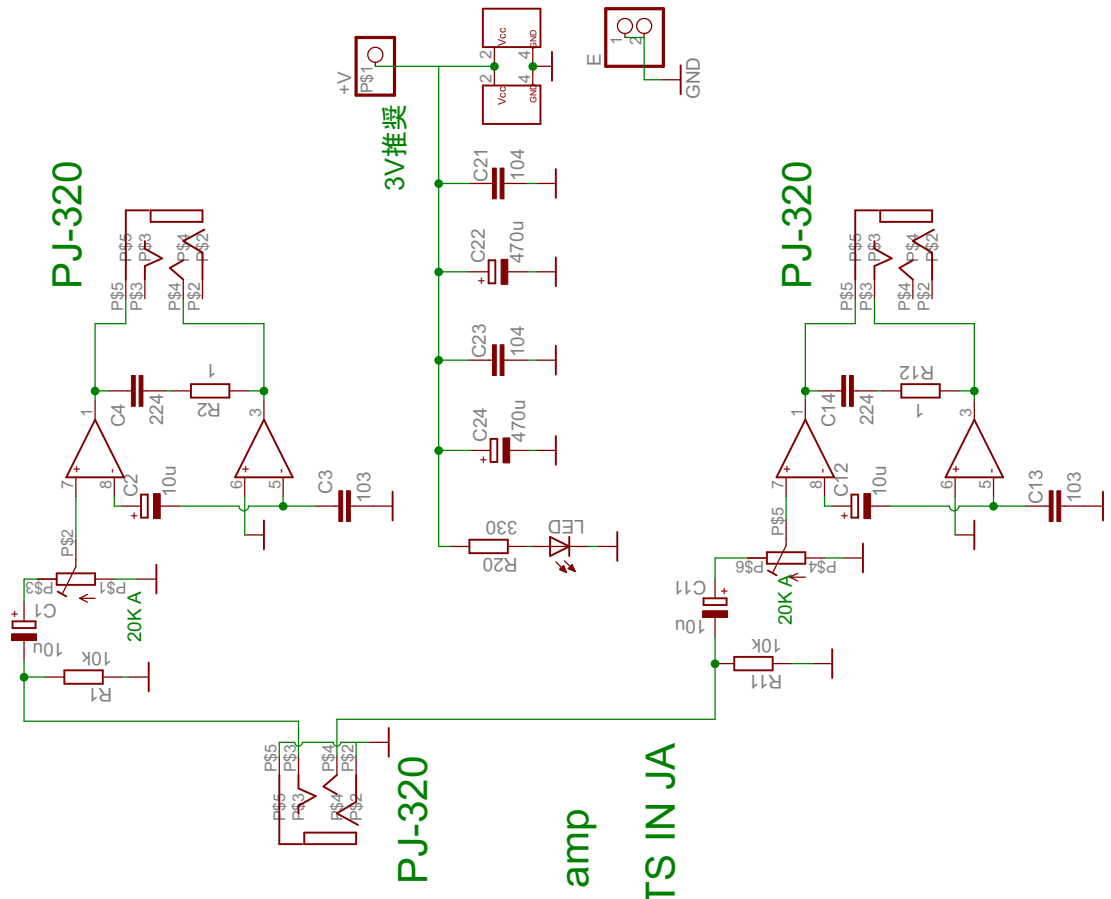


3V供給で100mW出力

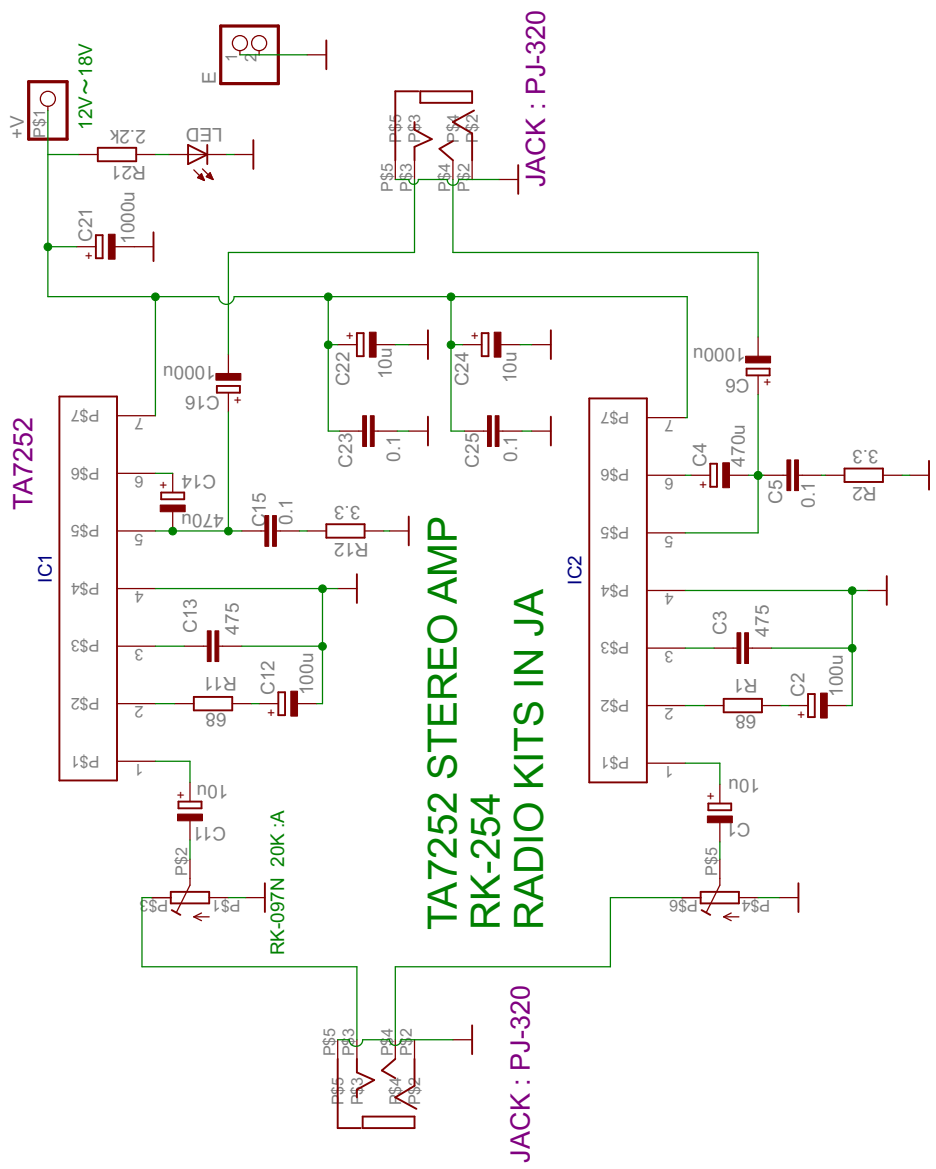
SS12400G5

MC34119 AMP
RK-251

RADIO KITS IN JA



NJM2073 amp
 RK-255
 RADIO KITS IN JA



**TA7252 STEREO AMP
RK-254
RADIO KITS IN JA**

TA7252

IC1

IC2

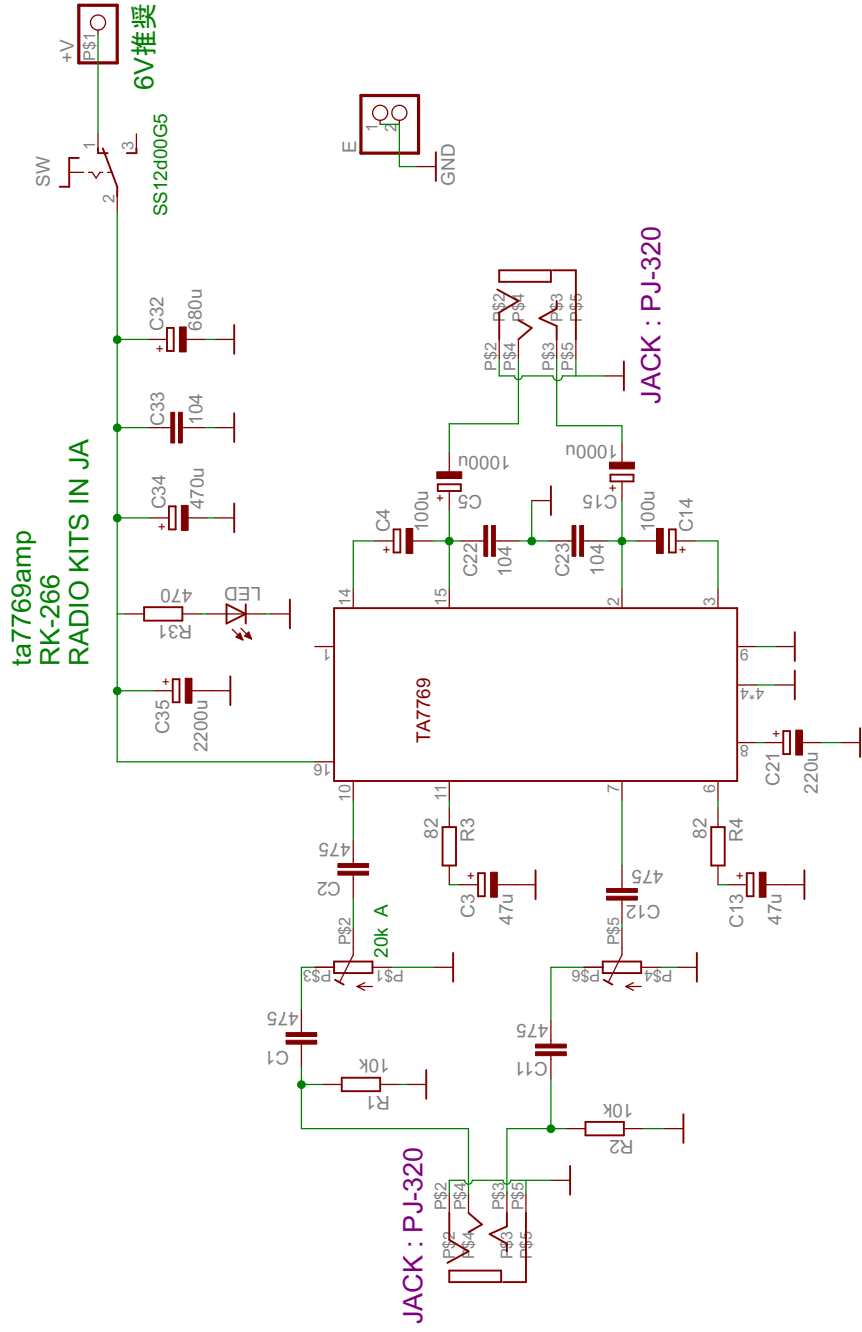
JACK : PJ-320

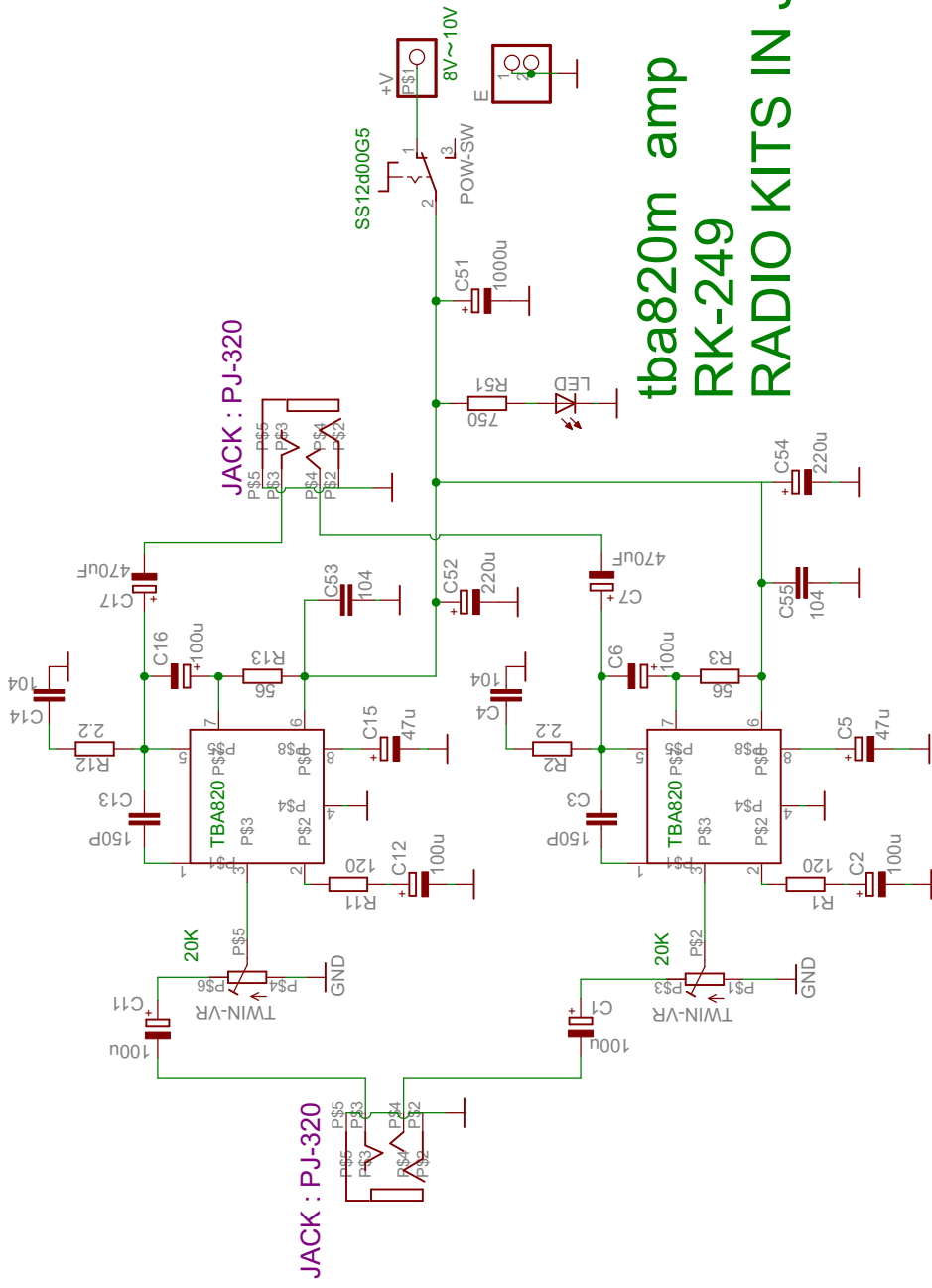
JACK : PJ-320

RK-097N 20K :A

+V

12V~18V



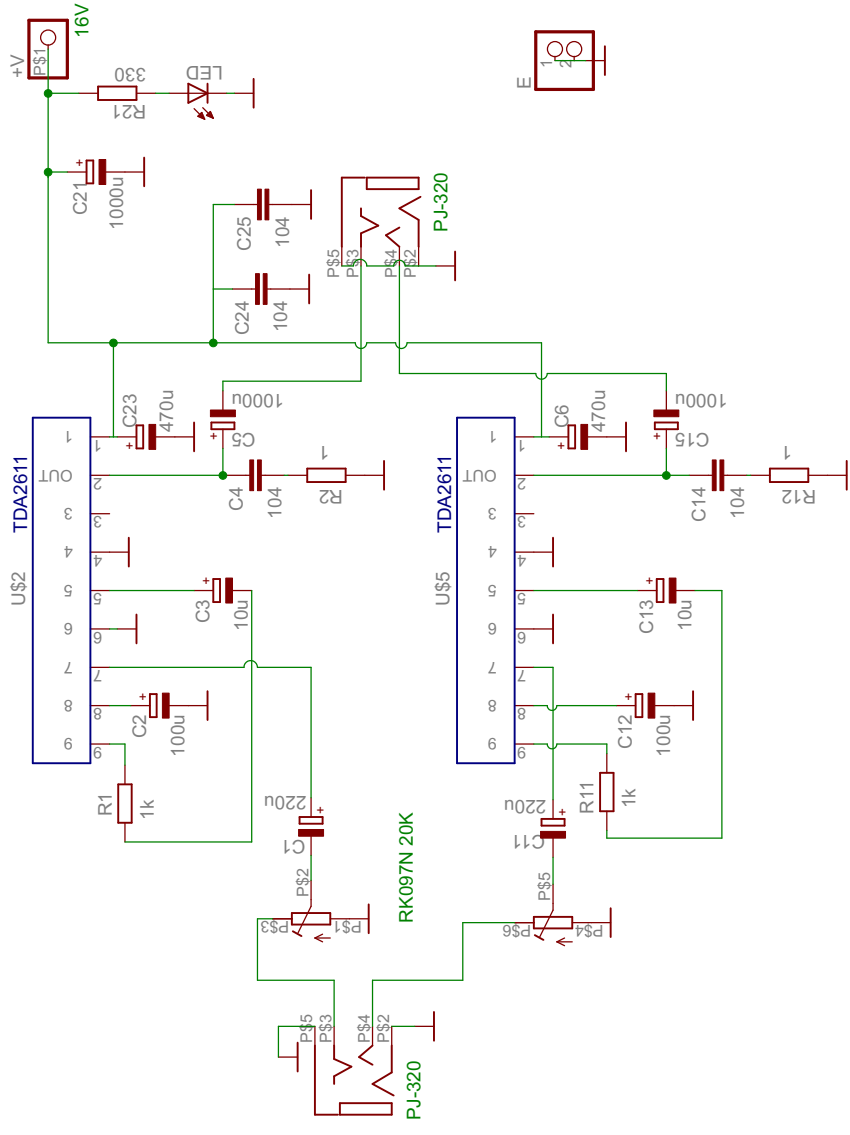


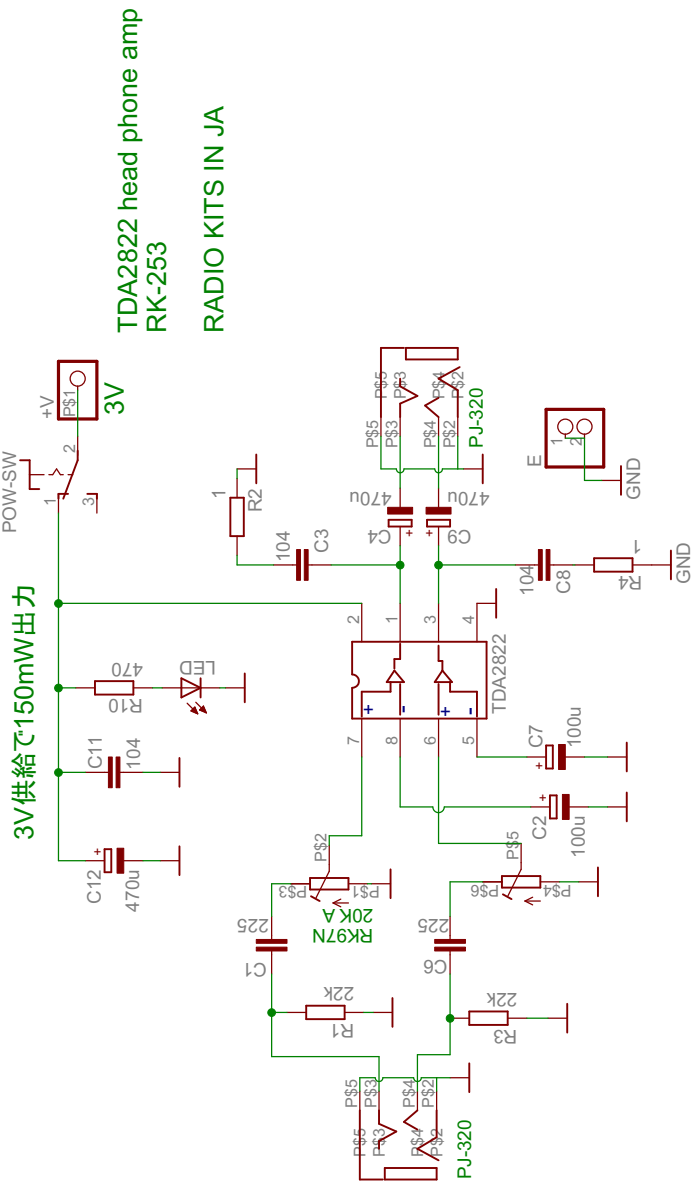
tba820m amp
RK-249
RADIO KITS IN JA

JACK : PJ-320

JACK : PJ-320

TA2611 AMP RK-263 RADIO KITS IN JA

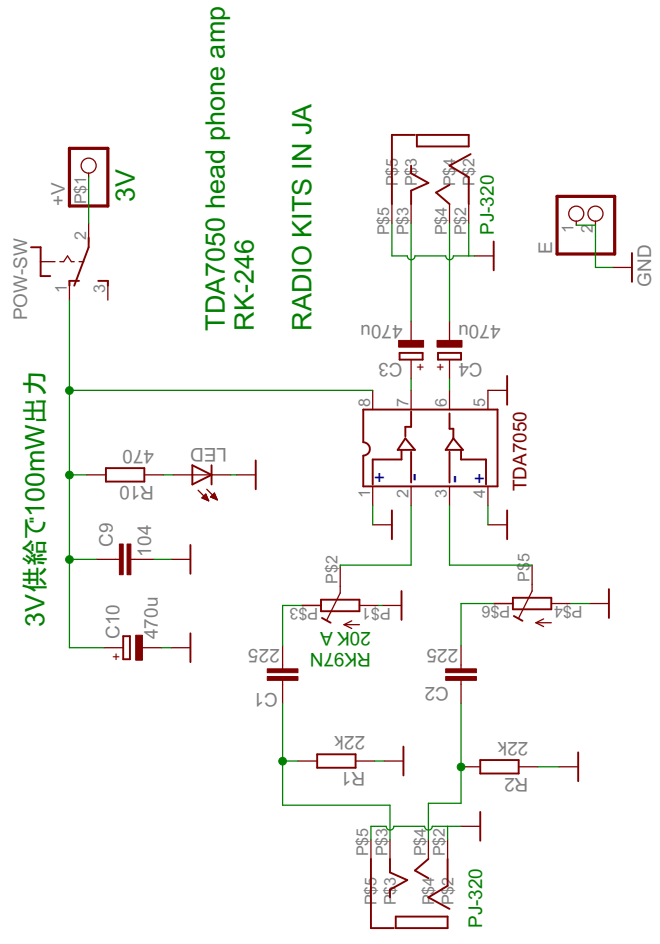




3V供給で150mW出力

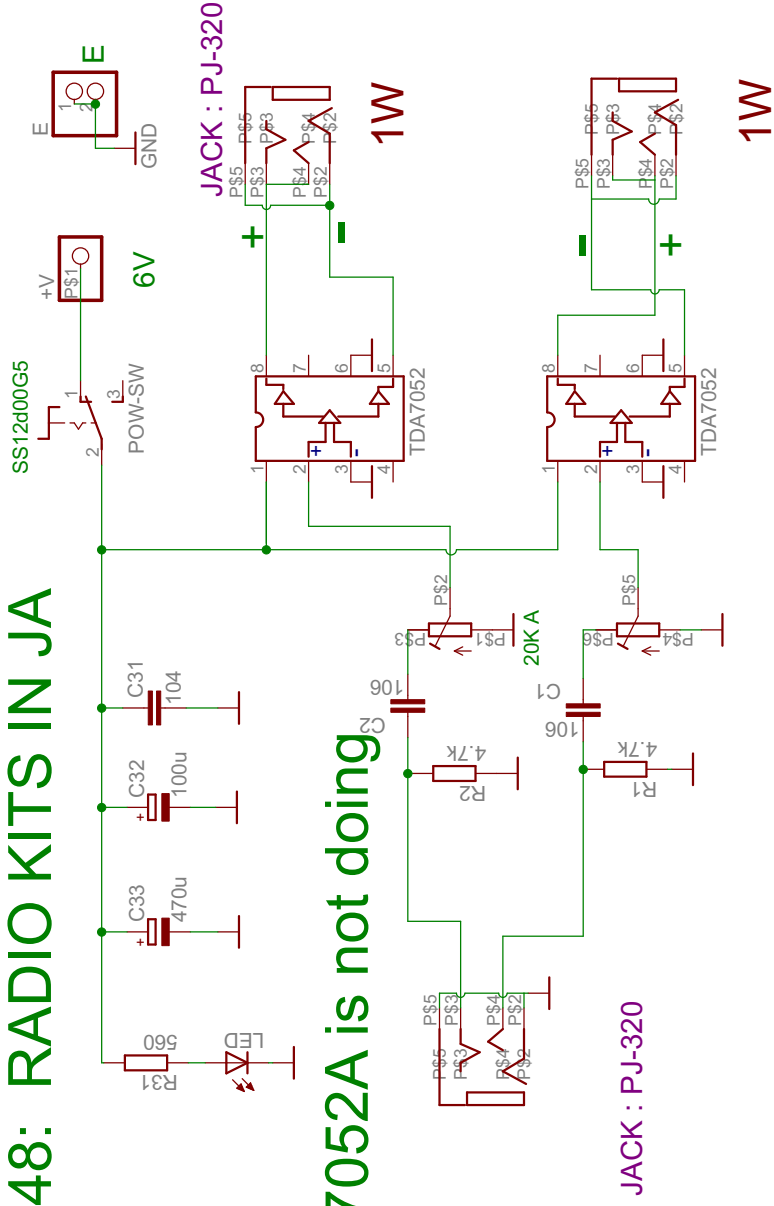
TDA2822 head phone amp
 RK-253

RADIO KITS IN JA



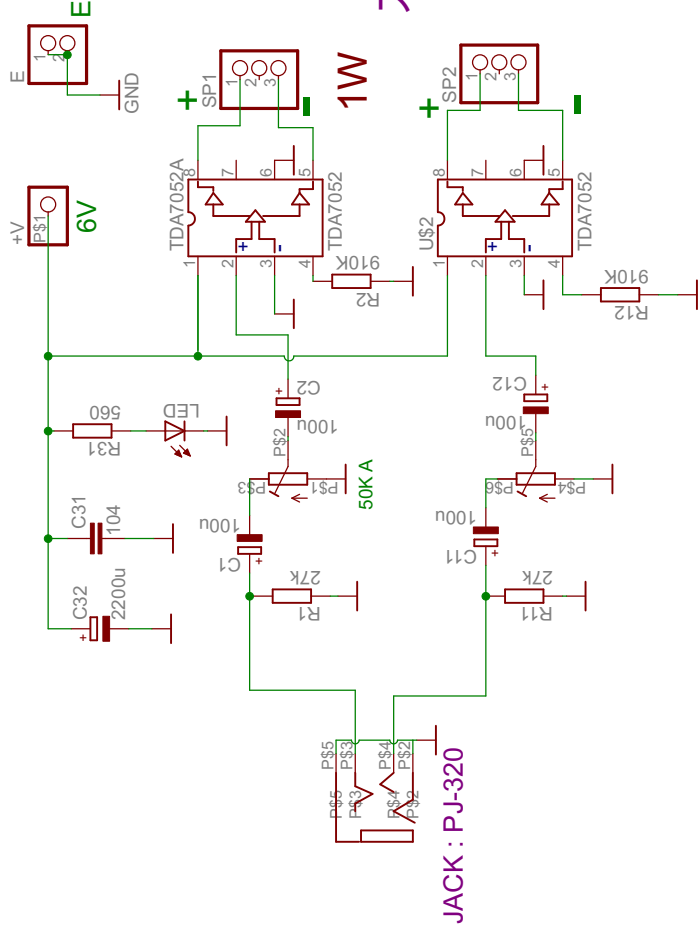
TDA7050 head phone amp
 RK-246
 RADIO KITS IN JA

TDA7052 AMP RK-248: RADIO KITS IN JA



TDA7052A is not doing

TDA7052A AMP RK-258: RADIO KITS IN JA

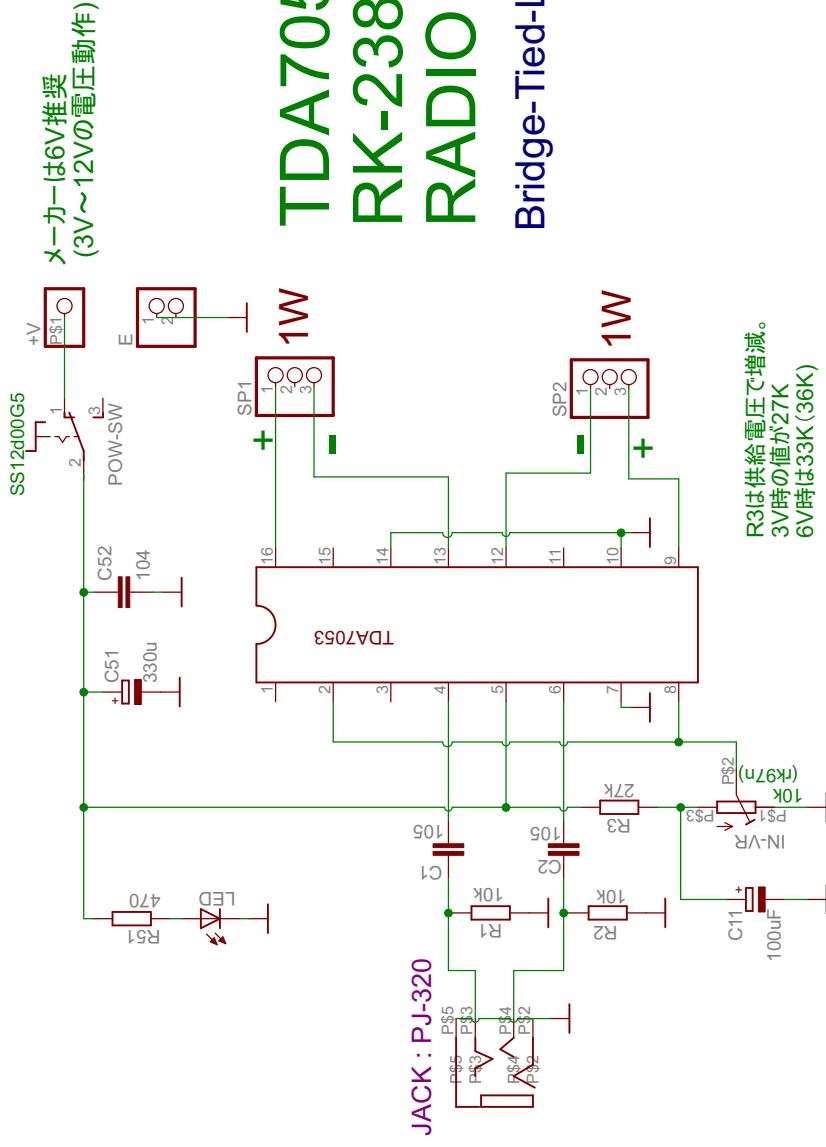


TDA7053A stereo amp

RK-238

RADIO ITS IN JA

Bridge-Tied-Load amp



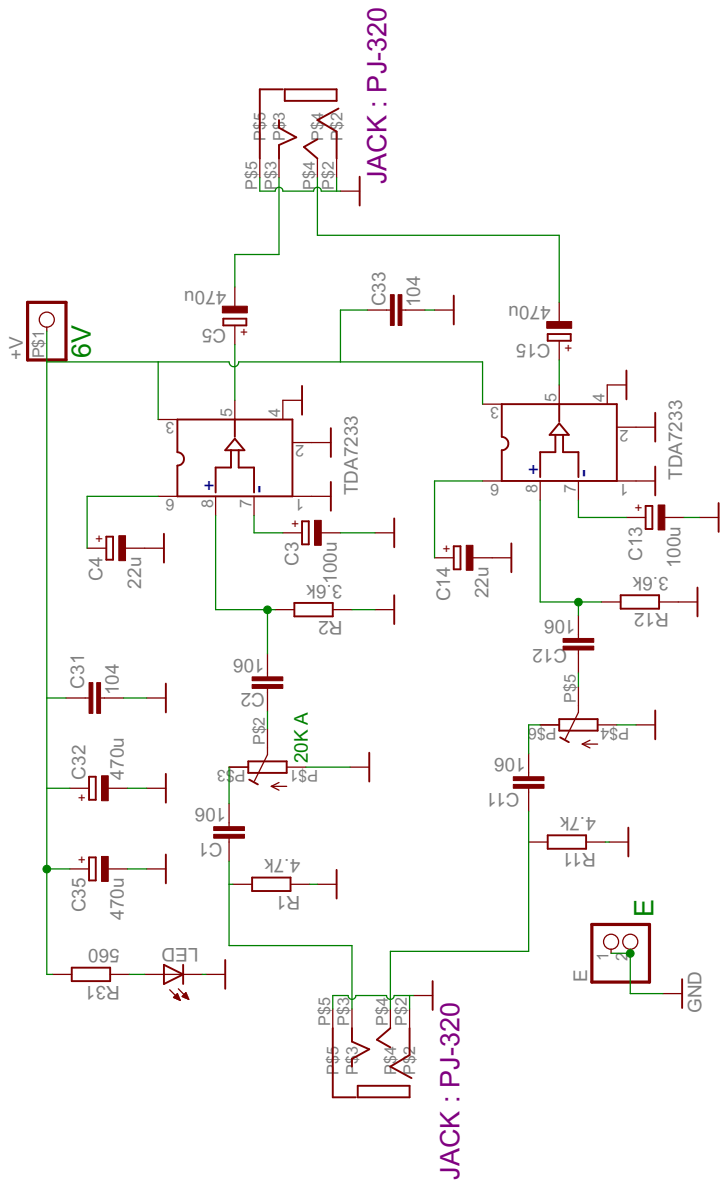
メーカは6V推奨
(3V~12Vの電圧動作)

R3は供給電圧で増減。
3V時の値が27K
6V時は33K(36K)

FUNCTIONAL DESCRIPTION
The TDA7053 is a stereo output amplifier, with an internal gain of 39 dB, which is primarily for use in portable audio applications but may also be used in mains-fed applications. The current trends in portable audio application design is to reduce the number of batteries which results in a reduction of output power when using conventional output stages. The TDA7053 overcomes this problem by using the Bridge-Tied-Load (BTL) principle and is capable of delivering 1.2 W into an 8 W load (VP = 6 V). The load can be short-circuited under all input conditions.

JACK : PJ-320

TDA7233 AMP RK-262: RADIO KITS IN JA



TDA7235(TA7231) AMP RK-261: RADIO KITS IN JA

