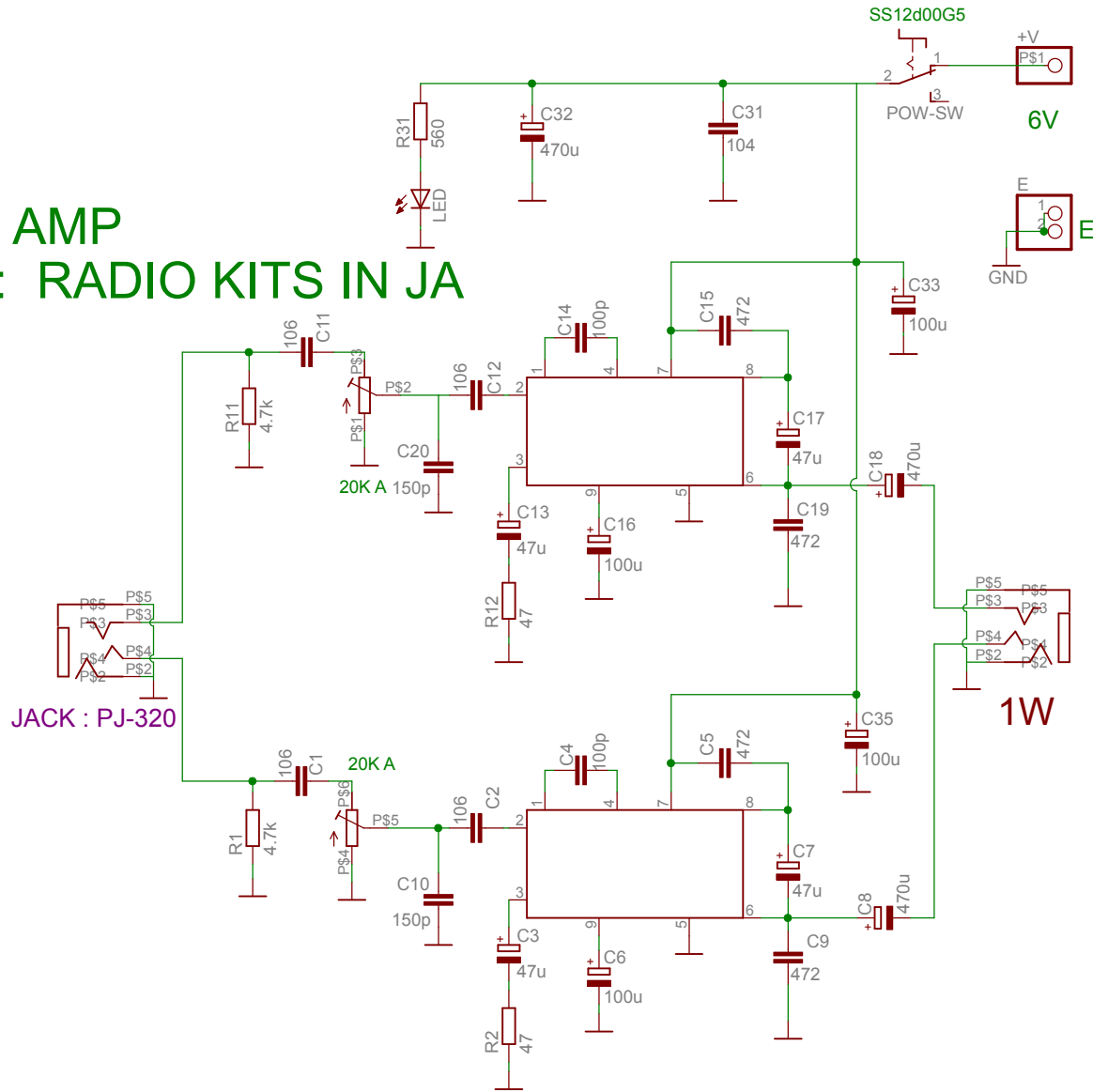
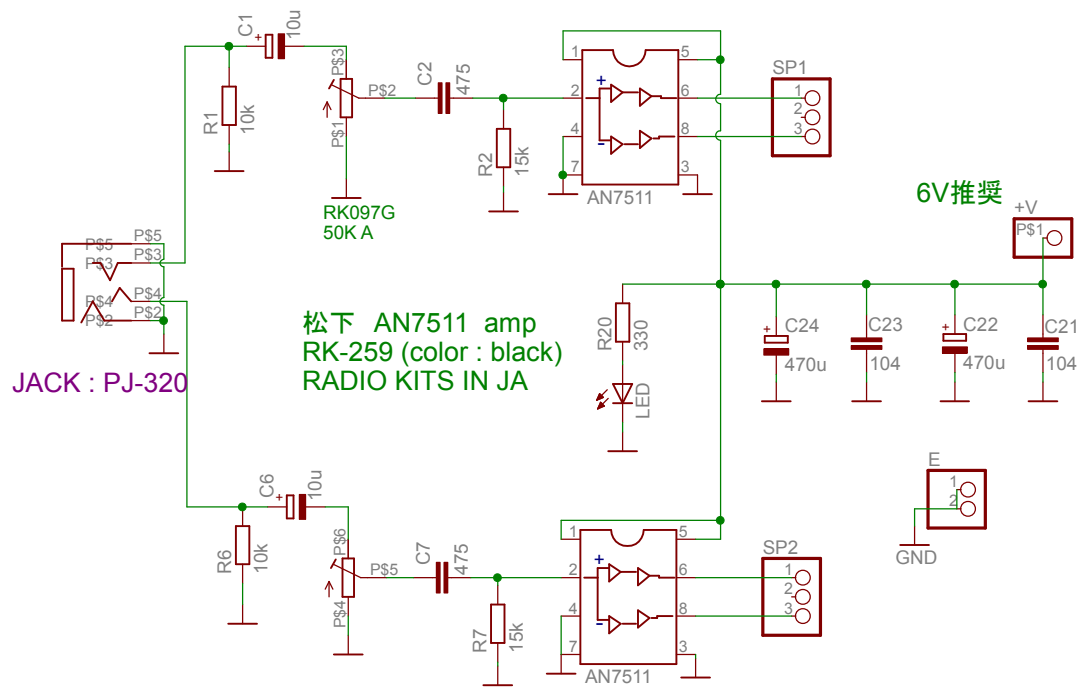


AN7112 AMP RK-256: RADIO KITS IN JA

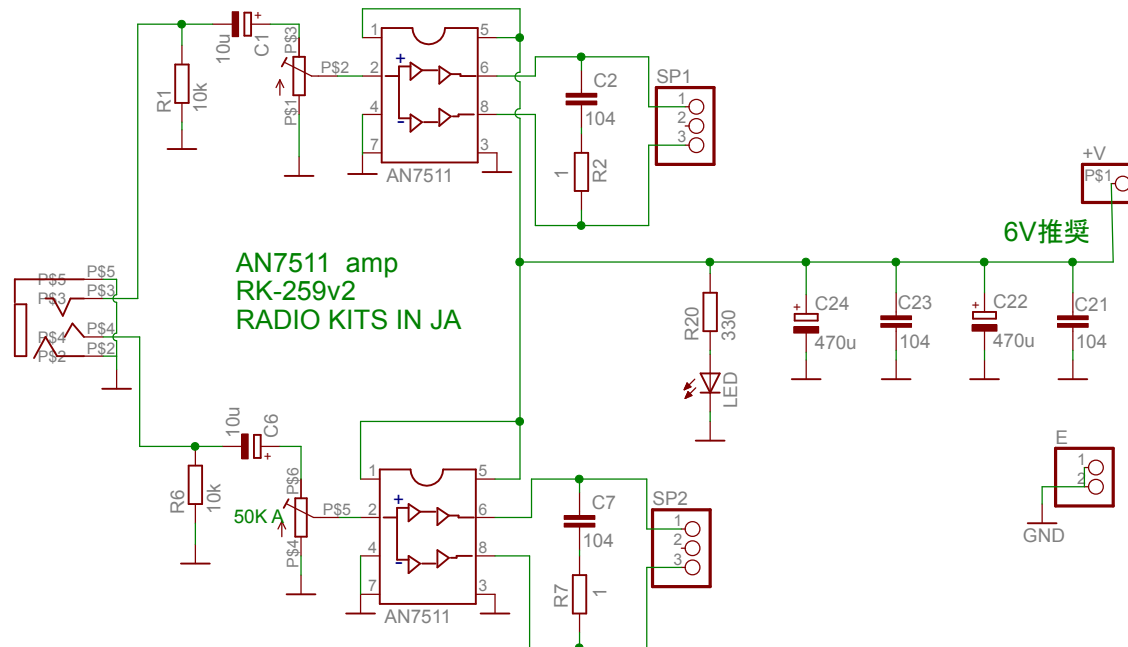




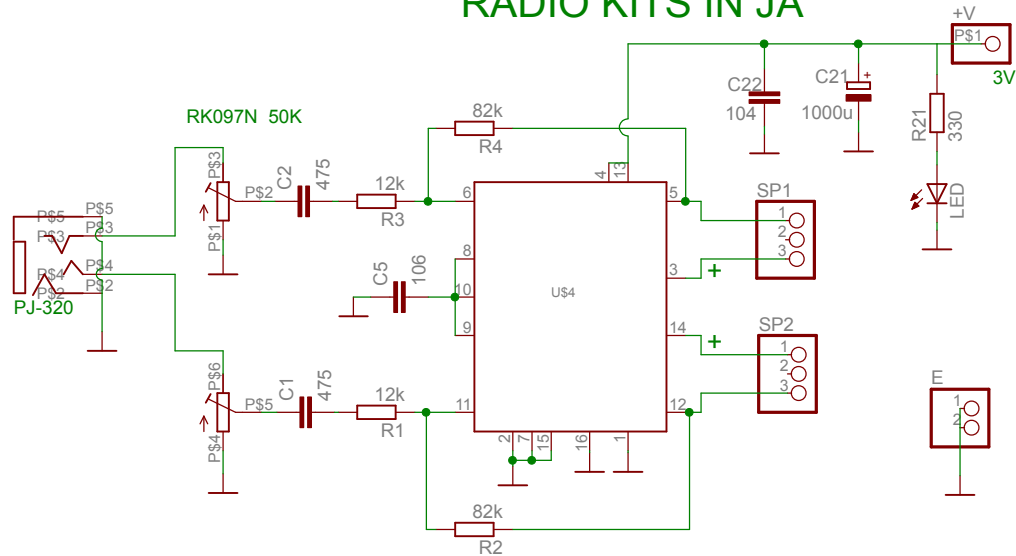
JACK : PJ-320

松下 AN7511 amp
RK-259 (color : black)
RADIO KITS IN JA

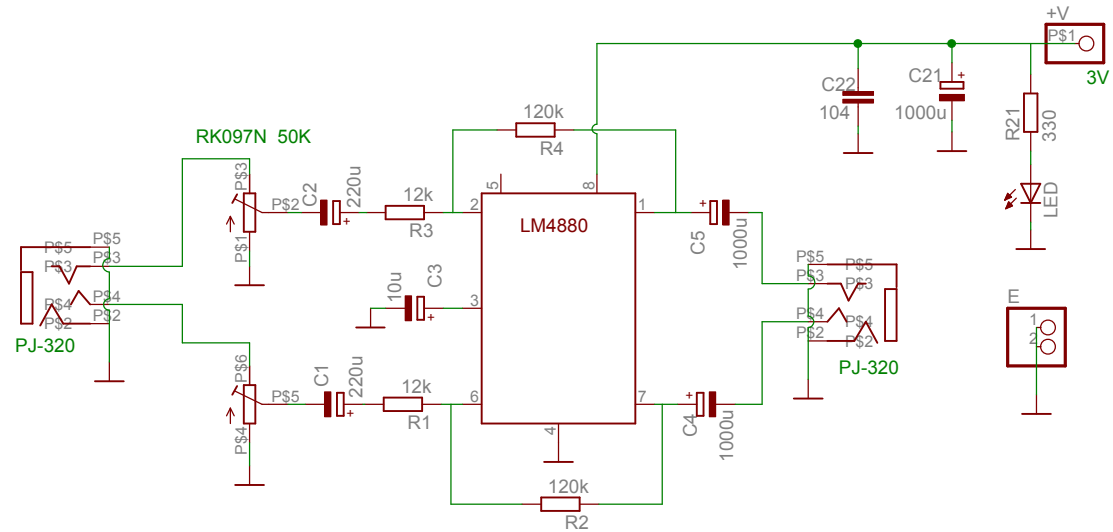
6V推奨

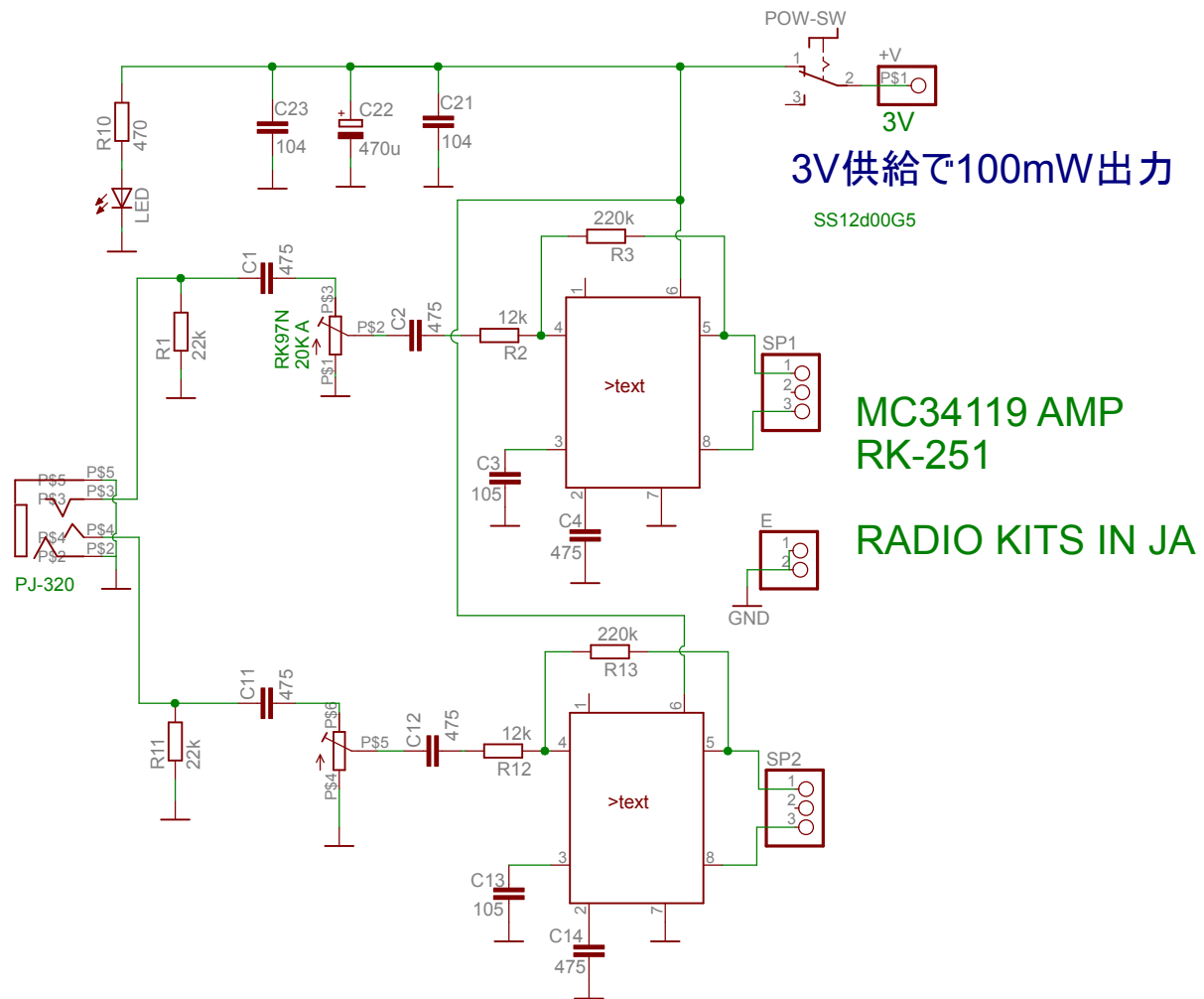


LM4863 STEREO AMP RK-257 RADIO KITS IN JA



LM4880 STEREO AMP RK-297 RADIO KITS IN JA





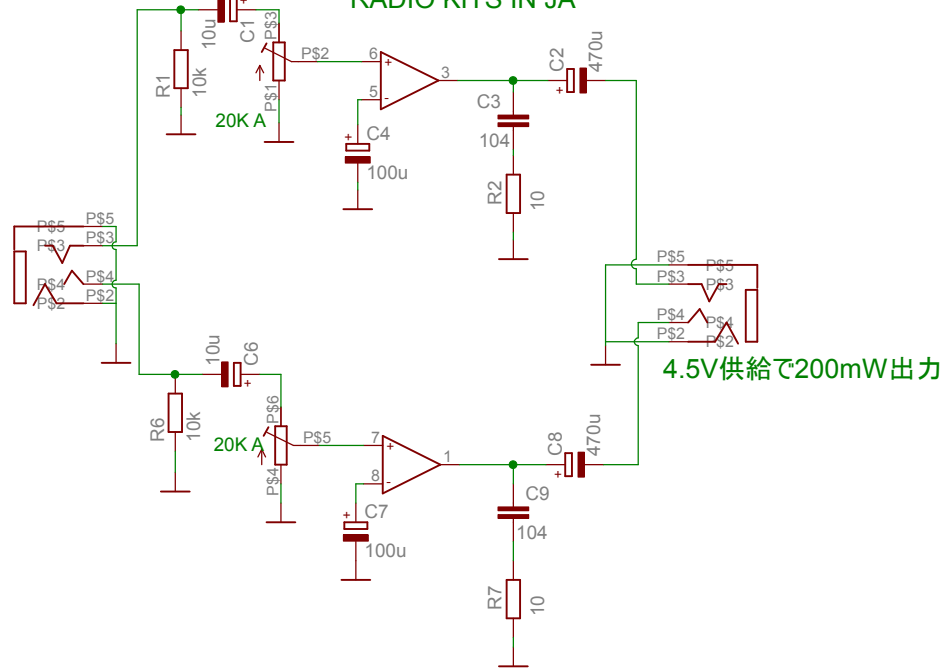
3V供給で100mW出力

SS12d00G5

MC34119 AMP
RK-251

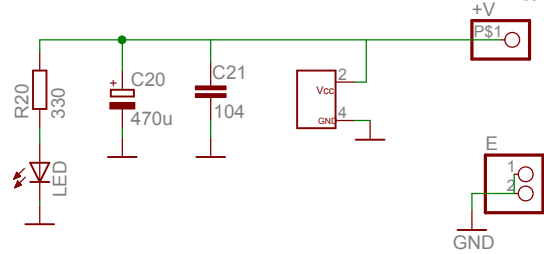
RADIO KITS IN JA

NJM2073 amp
RK-286
RADIO KITS IN JA

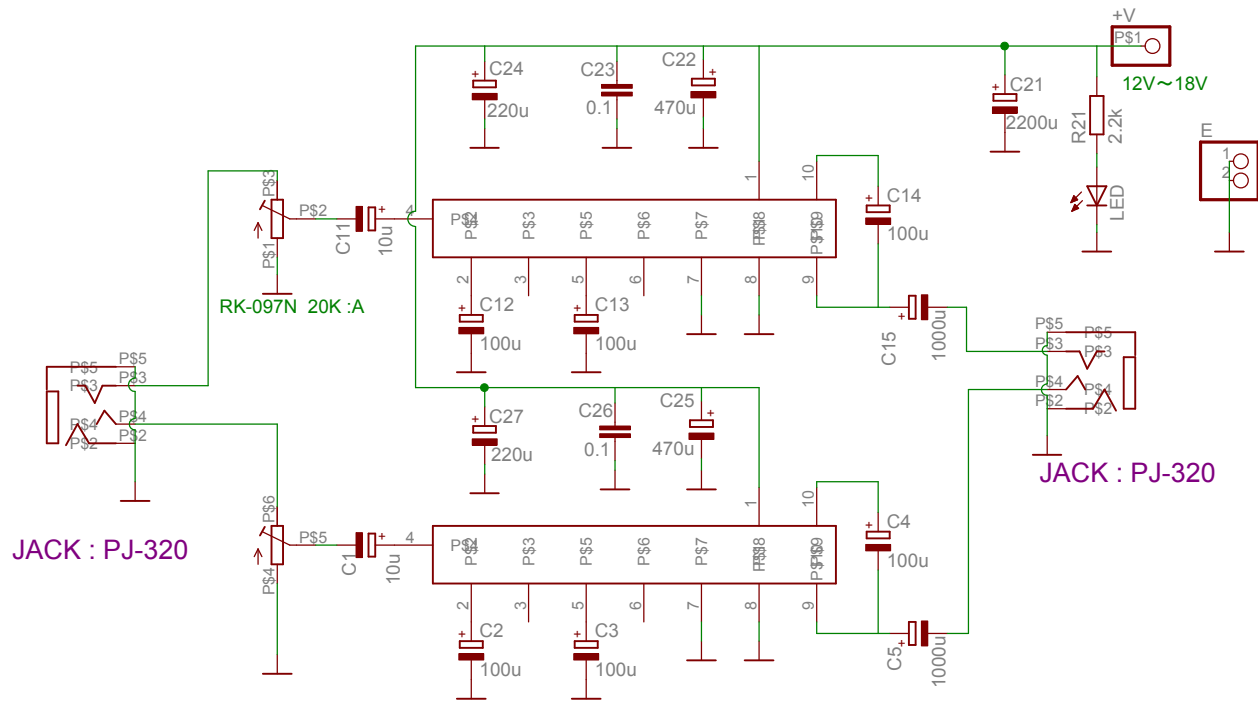


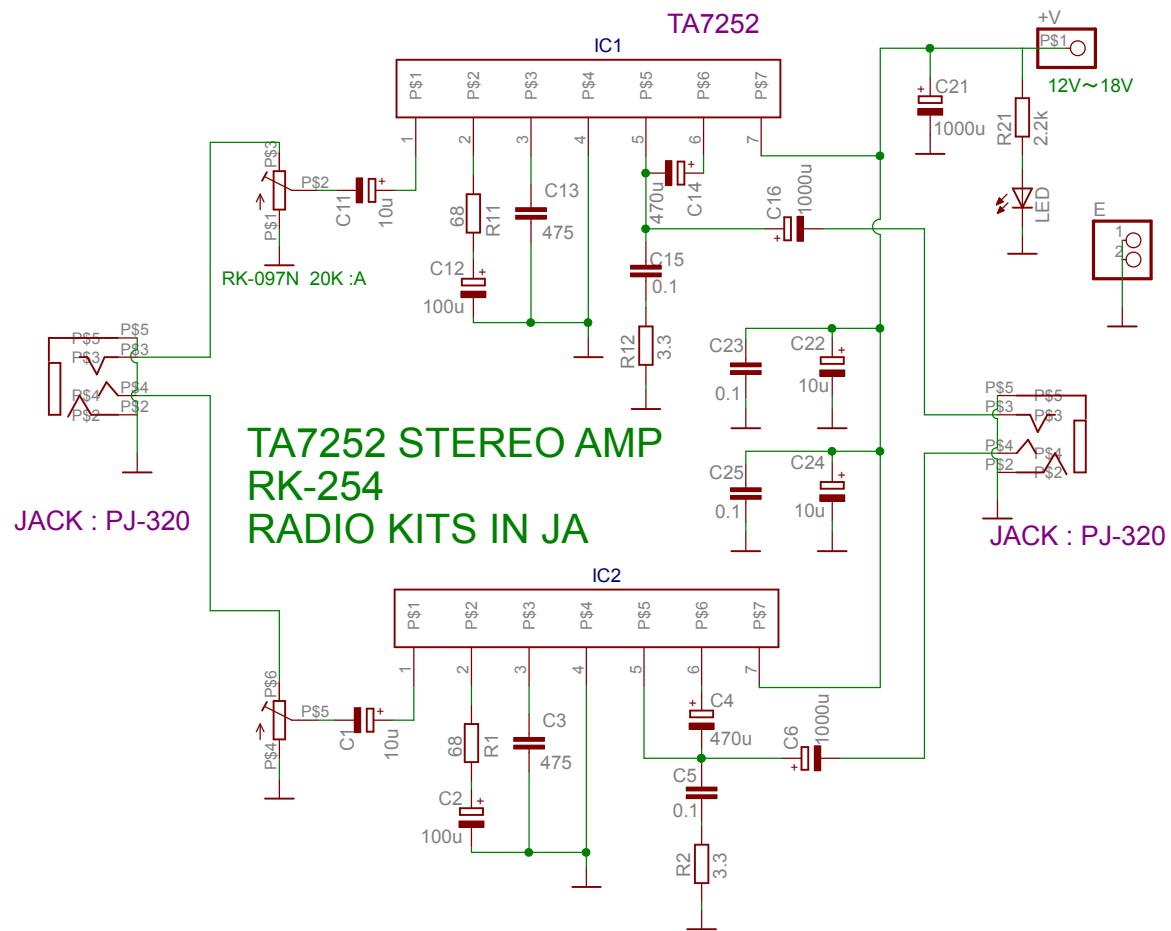
4.5V供給で200mW出力

4.5V推奨

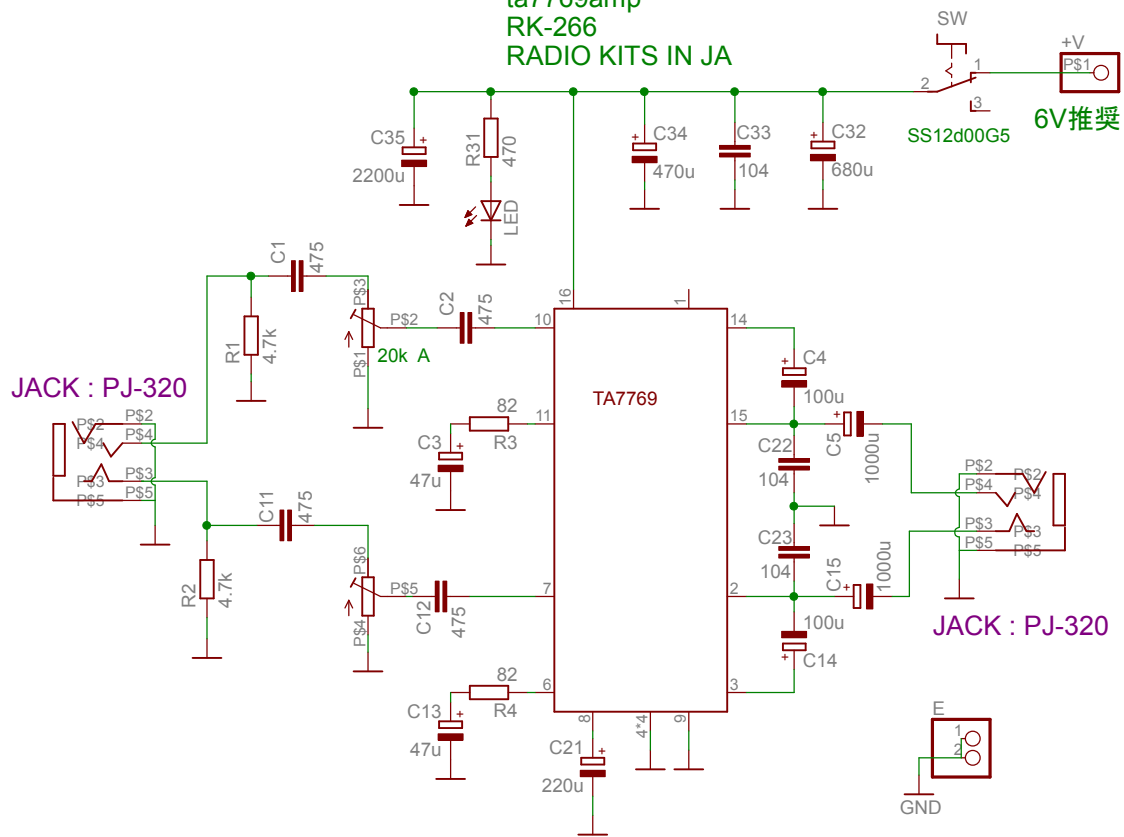


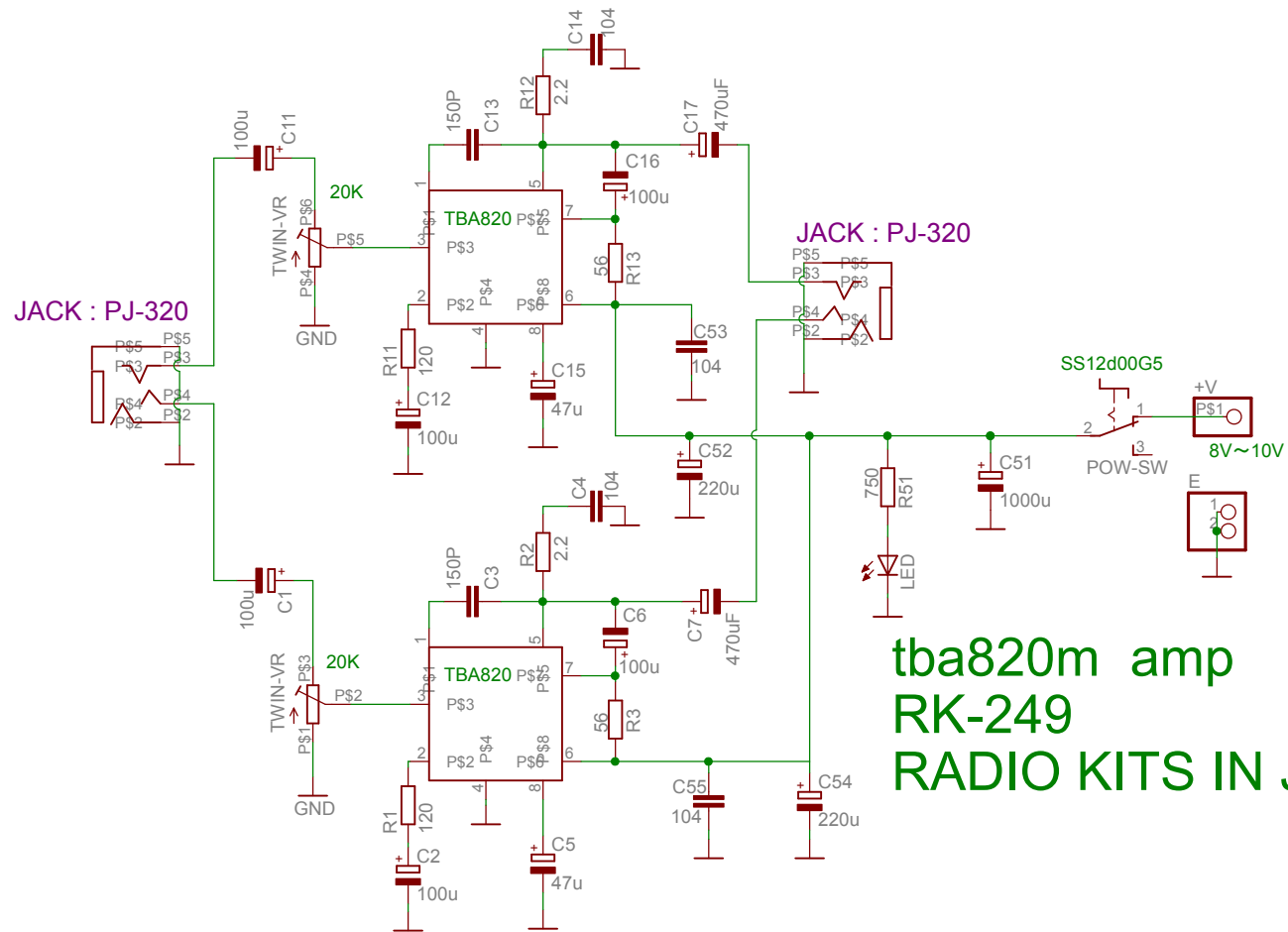
TA7222 STEREO AMP
RK-269
RADIO KITS IN JA



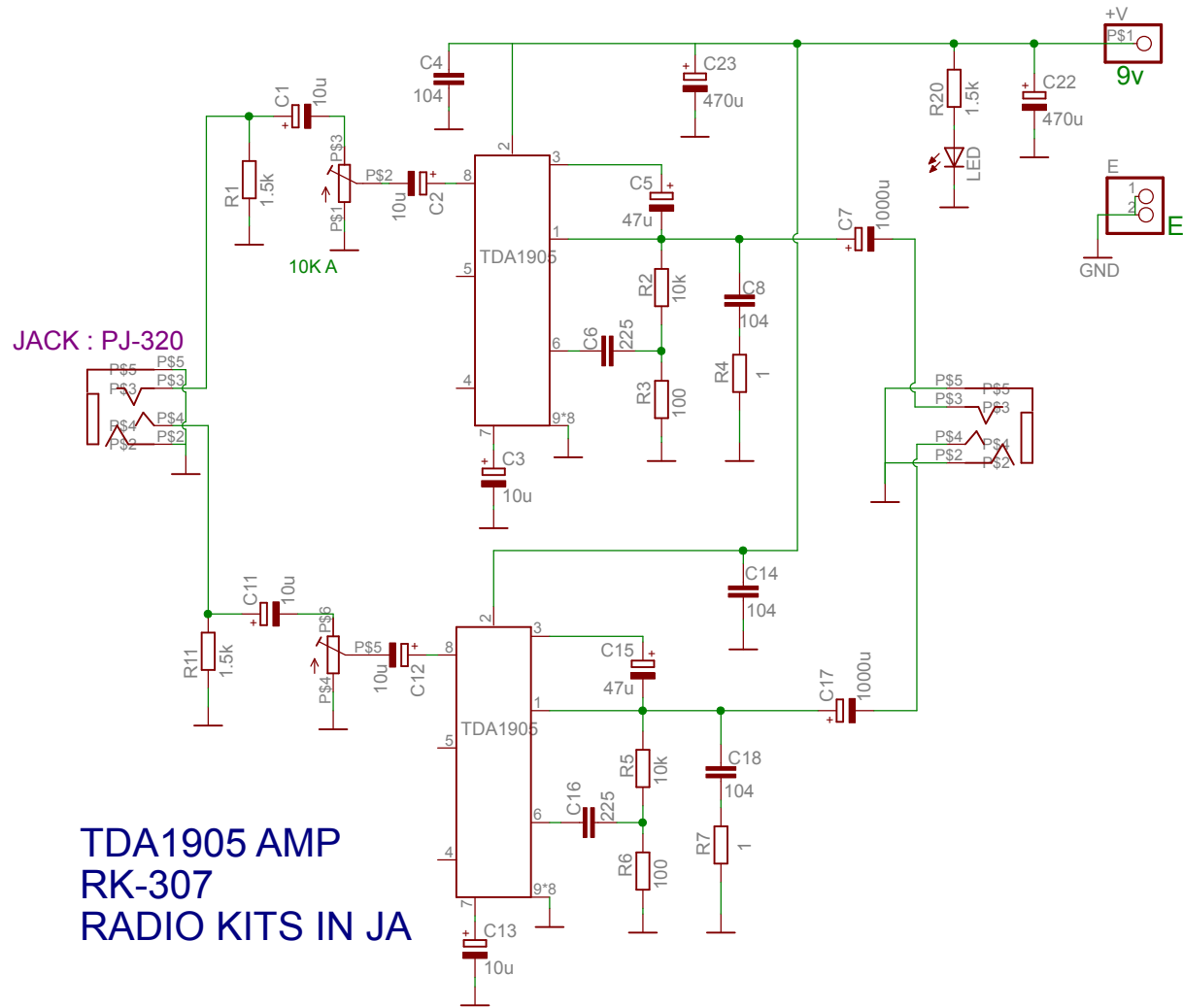


ta7769amp
RK-266
RADIO KITS IN JA

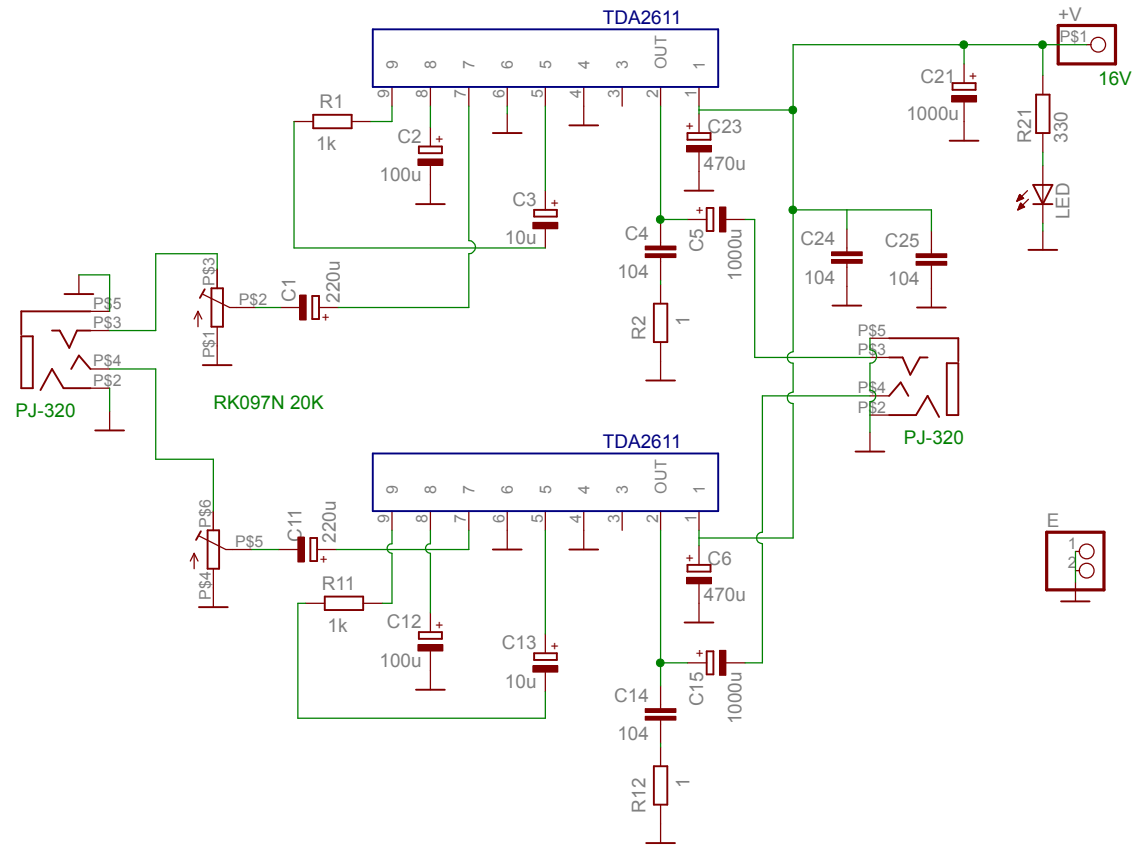


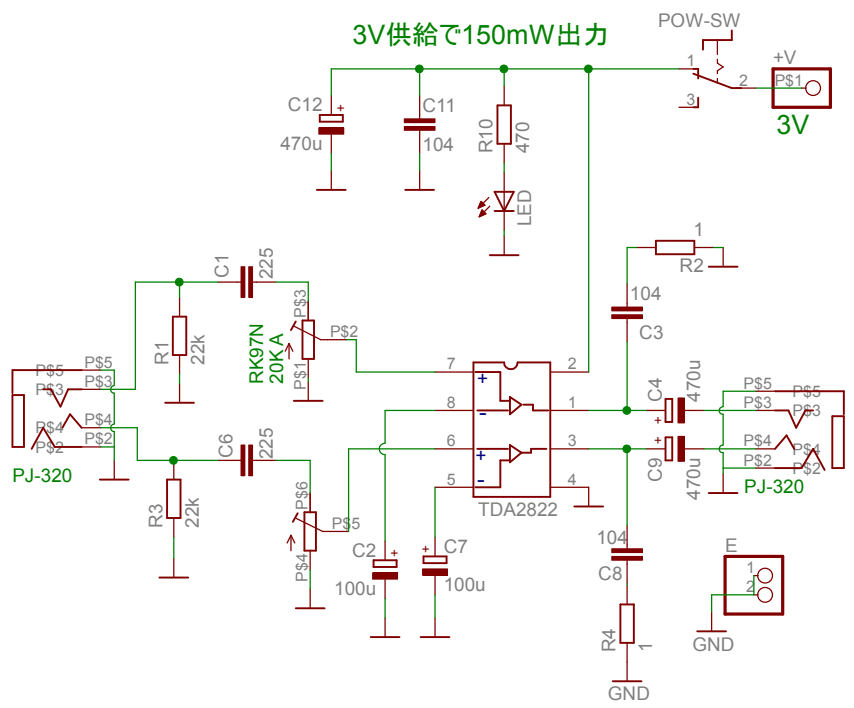


tba820m amp
 RK-249
 RADIO KITS IN JA



TDA2611 AMP RK-263 RADIO KITS IN JA





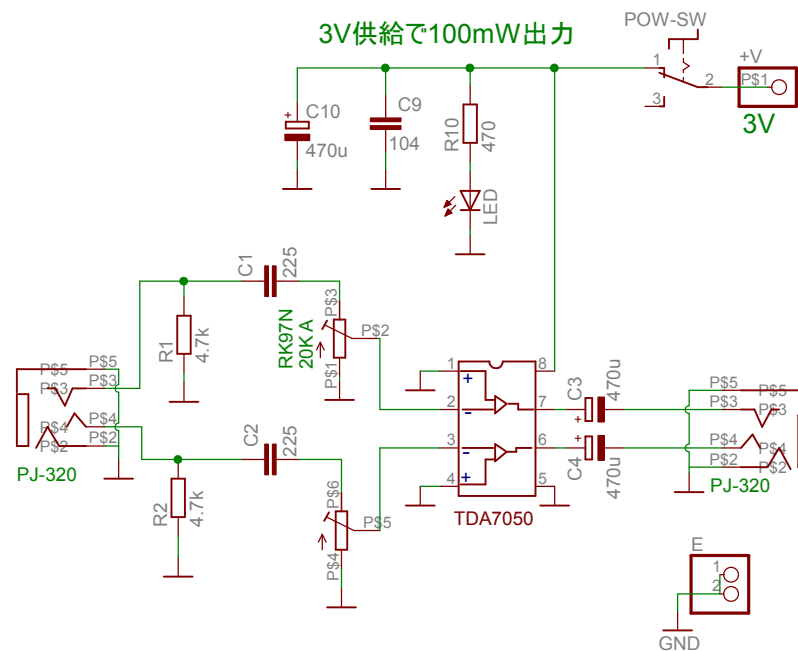
3V供給で150mW出力

TDA2822 head phone amp
RK-253

RADIO KITS IN JA

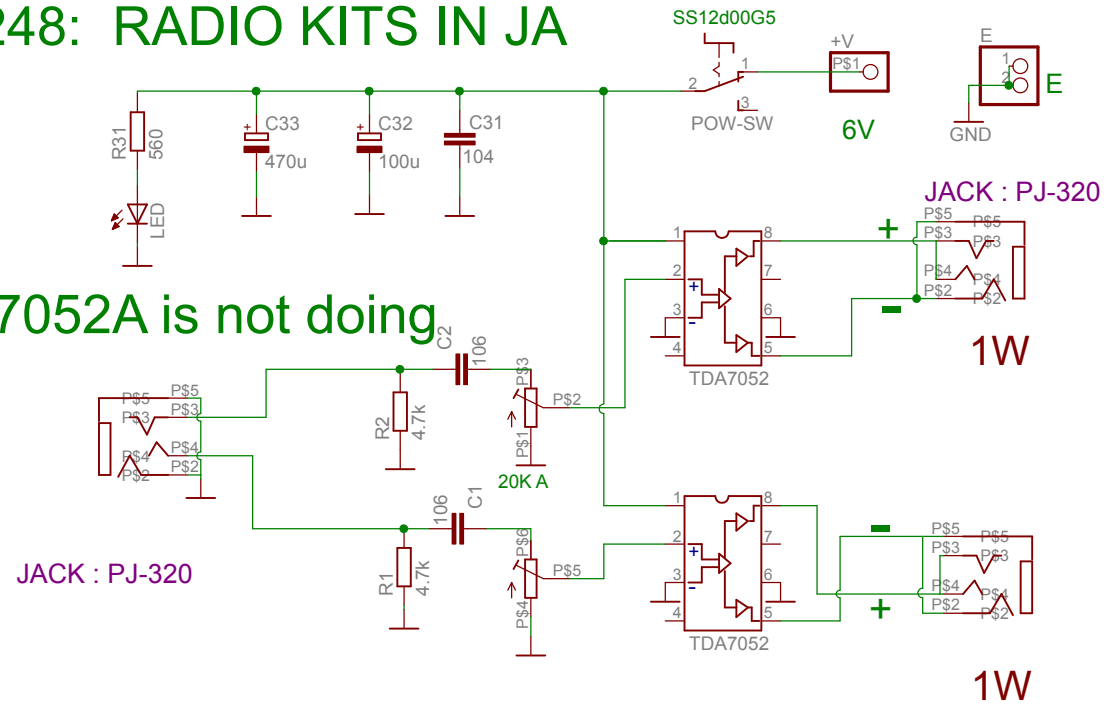
TDA7050 head phone amp RK-246

RADIO KITS IN JA



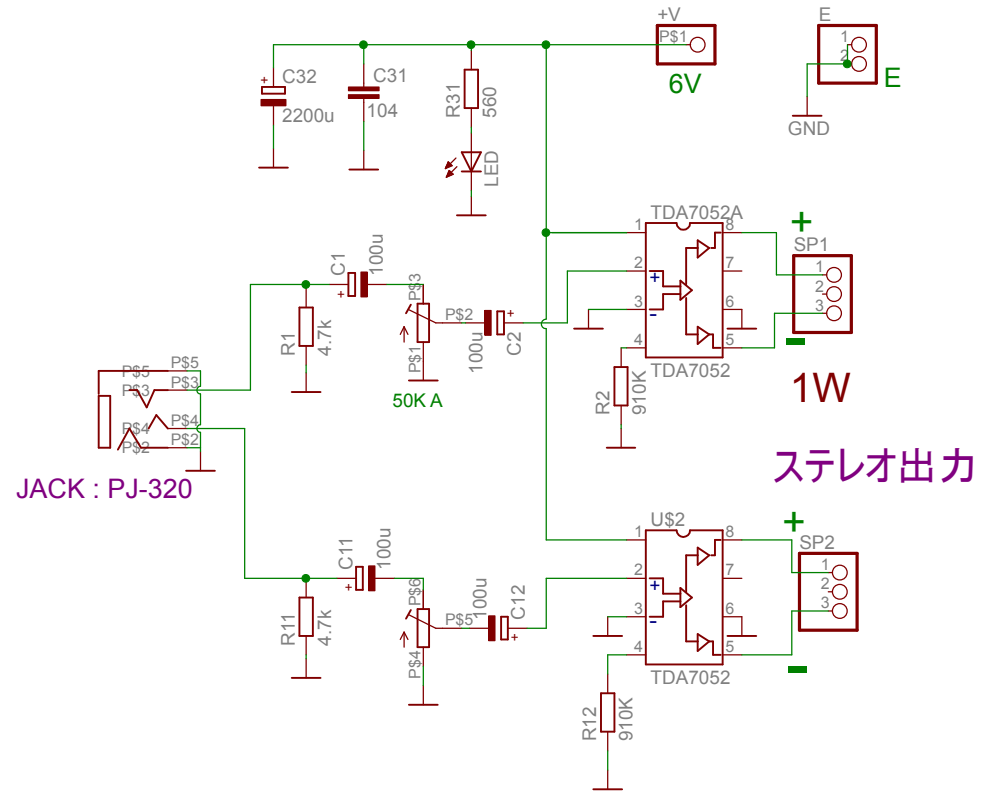
TDA7052 AMP RK-248: RADIO KITS IN JA

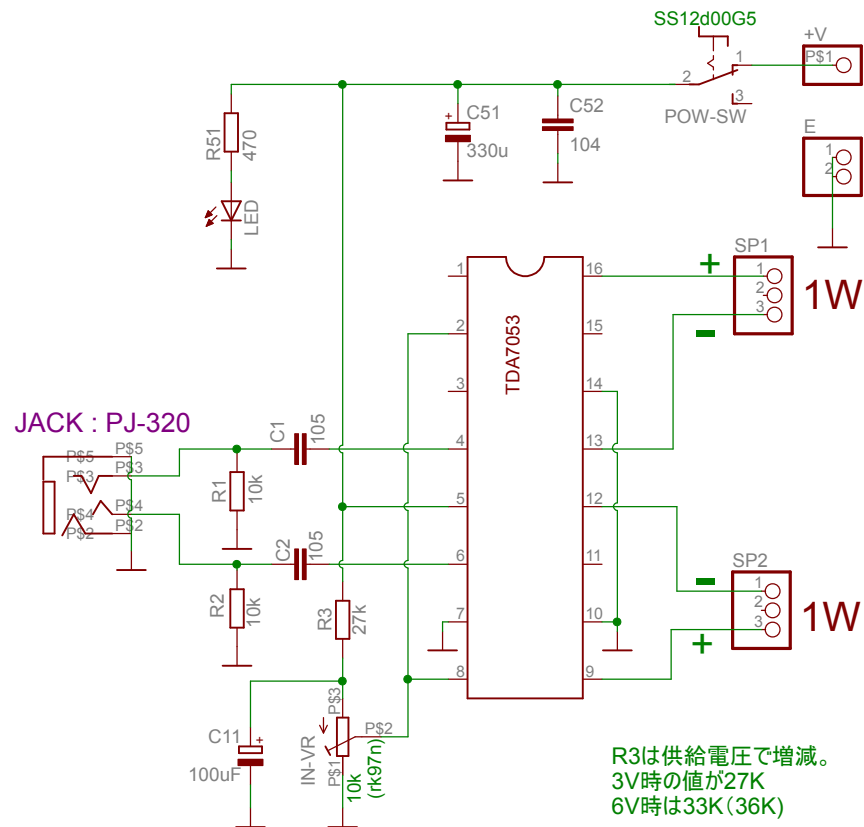
TDA7052A is not doing



TDA7052A AMP

RK-258: RADIO KITS IN JA





メーカーは6V推奨
(3V~12Vの電圧動作)

TDA7053A stereo amp
 RK-238
 RADIO ITS IN JA
 Bridge-Tied-Load amp

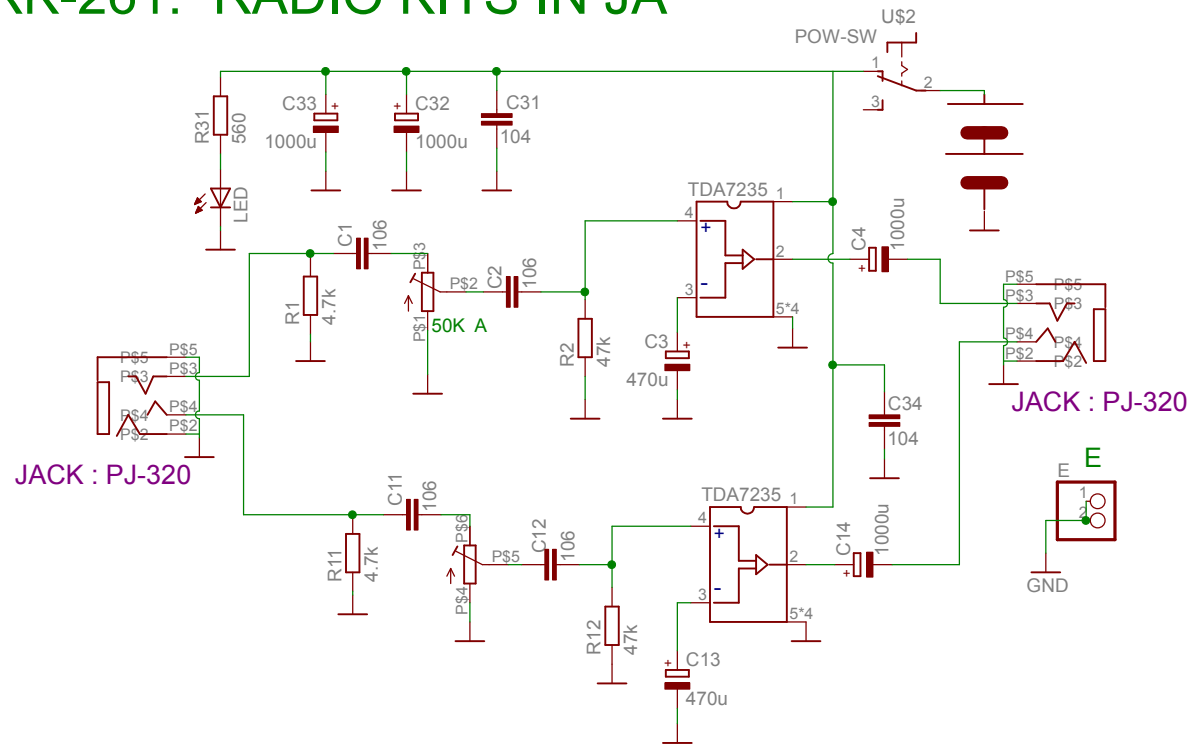
R3は供給電圧で増減。
 3V時の値が27K
 6V時は33K(36K)

FUNCTIONAL DESCRIPTION

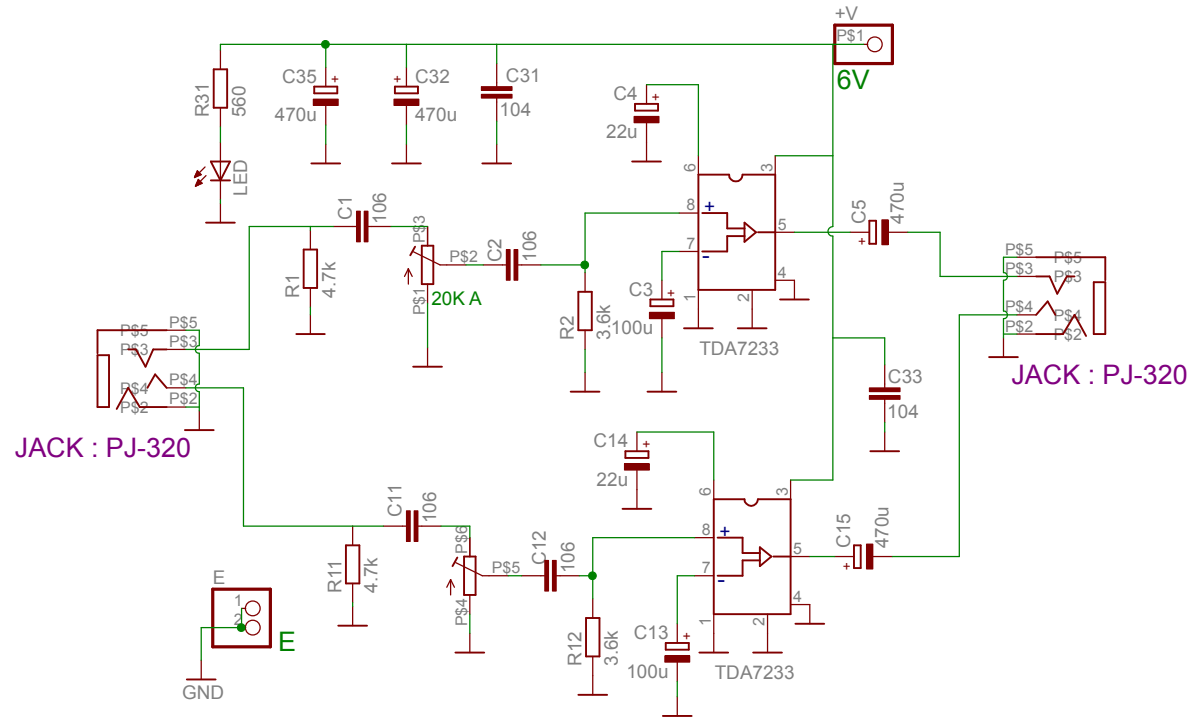
The TDA7053 is a stereo output amplifier, with an internal gain of 39 dB, which is primarily for use in portable audio applications but may also be used in mains-fed applications. The current trends in portable audio application design is to reduce the number of batteries which results in a reduction of output power when using conventional output stages. The TDA7053 overcomes this problem by using the Bridge-Tied-Load (BTL) principle and is capable of delivering 1.2 W into an 8 W load (VP = 6 V). The load can be short-circuited under all input conditions.

TDA7235(TA7231) AMP RK-261: RADIO KITS IN JA

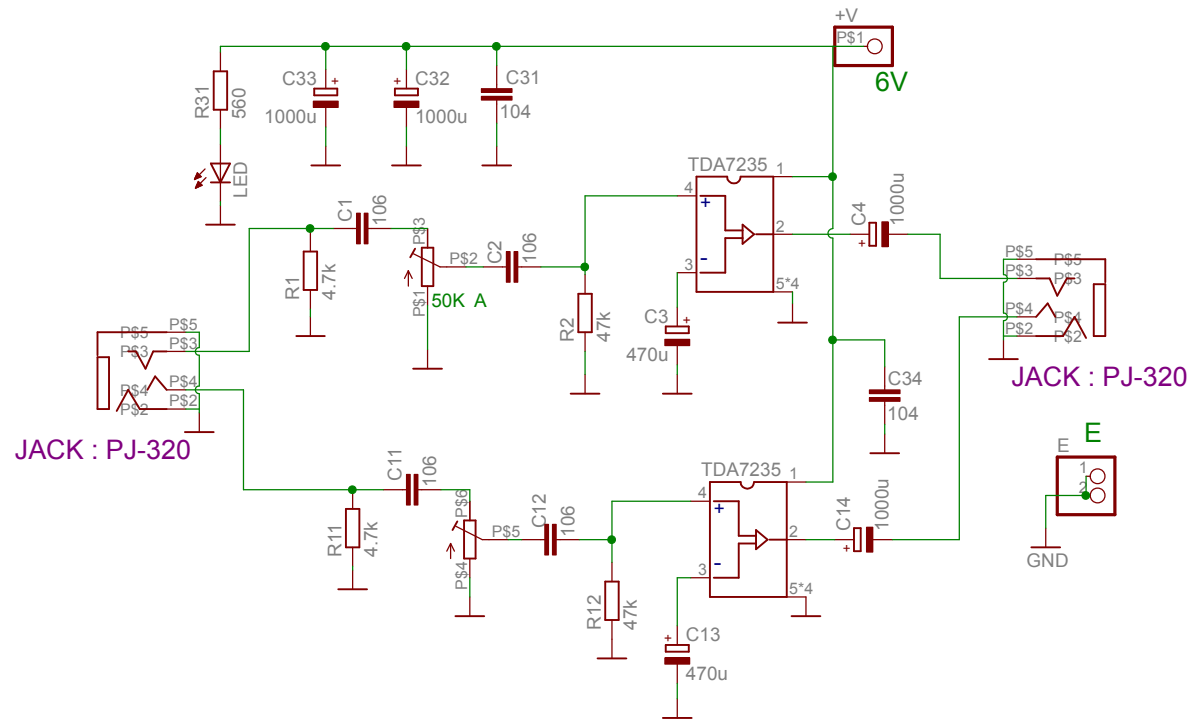
電池BOX : BH-321-2A150



TDA7233 AMP RK-262: RADIO KITS IN JA



TDA7235(TDA7231) AMP RK-261: RADIO KITS IN JA



TDA7267 stereo AMP

RK-294: RADIO KITS IN JA

